



LISTING INFORMATION OF
Mitek Design No. MCI/WI 45-01

SPEC ID: 27676

MiTek Canada, Inc.
100 Industrial Road
Bradford, ON L3Z 3G7
Canada

This report is for the exclusive use of Intertek's Client and is provided pursuant to the agreement between Intertek and its Client. Intertek's responsibility and liability are limited to the terms and conditions of the agreement. Intertek assumes no liability to any party, other than to the Client in accordance with the agreement, for any loss, expense or damage occasioned by the use of this report. Only the Client is authorized to permit copying or distribution of this report and then only in its entirety. Any use of the Intertek name or one of its marks for the sale or advertisement of the tested material, product or service must first be approved in writing by Intertek. The observations and test results in this report are relevant only to the sample tested. This report by itself does not imply that the material, product, or service is or has ever been under an Intertek certification program.

Design No. MCI/WI 45-01. See design box or print Listing Report.

Attribute	Value
Assemblies	Floor / Ceiling Assemblies
Criteria	UL 263 (2003)
Criteria	UBC 7-1 (1994)
Criteria	CAN / ULC S101 (2004)
Criteria	ASTM E119 (2005a)
Criteria	NFPA 251 (2006)
Criteria	CAN / ULC S101 (2007)
Criteria	ASTM E119 (2010)
Criteria	UL 263 (2011)
CSI Code	06 17 00 Shop-Fabricated Structural Wood
Intertek Services	Certification
Listed or Inspected	LISTED
Listing Section	ROOF/CEILING, FLOOR/CEILING, BEAM & COLUMN ASSEMBLIES
Report Number	3108028/3115131
Spec ID	27676

DRAWING INDEX

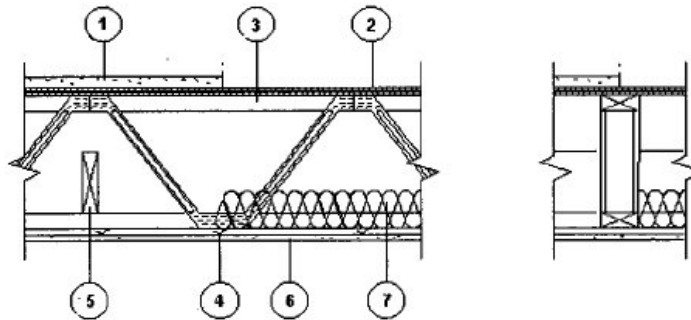
MCI/WI 45-01

MCI/WI 45-01

Division 06 – Wood, Plastics, and Composites
 06 17 00 Shop-Fabricated Structural Wood
 06 17 33 Wood I-Joists

Page 1 of 2

MiTek Canada Inc.
Design No. MCI/WI 45-01
Posi-Strut Metal Web System
Floor/Ceiling Assembly
ASTM-E119, CAN/ULC-S101, NFPA-251, UBC-7-1, UL 263
Rating: 3/4 Hour – Unrestrained



Finish Rating: 15 Minutes
 STC 50 with Insulation & Resilient Channels
 STC 55 with 1-1/2 in. of Lightweight Concrete

- 1. TOPPING (Optional):** Subject to design and project limitations, these systems may be augmented with a lightweight floor topping mix containing perlite or vermiculite aggregate.
 - 2. FLOORING:** Min. 5/8 in. (15.9mm) plywood or O-2 grade waferboard or strandboard. See below for spacing >16 in. (400mm) on center (oc).
- SUB-FLOORING:** Sub-floor panels to conform to one of the following:

Max. Joists Spacing	Plywood & O-2 Grade Waferboard and Strandboard	Waferboard and Strandboard R-1 & O-1 Grade
16 in. (400mm)	5/8 in. (15.9mm)	5/8 in. (15.9mm)
19.2 in. (500mm)	3/4 in. (19.0mm)	3/4 in. (19.0mm)
24 in. (600mm)	3/4 in. (19.0mm)	3/4 in. (19.0mm)

SUB-FLOORING FASTENING: Min. length of fastener for sheathing and subfloor attachment for thickness from 5/8 in. (15.9mm) to 3/4 in. (19.0mm) thick is:

- A. Common or Spiral Nail – 2 in. (51mm) (Canada); 8d (0.131 in. dia. x 2.5 in. long) (US).
 - B. Ring Thread Nail – 1-3/4 in. (45mm) (Canada); 6d (0.120 in. dia. x 2 in. long) (US).
- Nail spacing shall be 6 in. (150mm) oc along butt edges of panel and 12 in. (300mm) (Canada) and 10 in. (US) oc along intermediate support.

3. CERTIFIED MANUFACTURER: MiTek Canada Inc.

CERTIFIED PRODUCT: MiTek Posi-Strut System

Listed fire designs are based on systems designed for structural and functional performance in accordance with MiTek Canada Inc. procedures. All designs are tested in unrestrained configuration. The chord materials are structural rated lumber material as graded under NLGA-1993

Date Revised: April 20, 2016
 Project No. 3115131



MCI/WI 45-01 (2 of 2)

Division 06 – Wood, Plastics, and Composites
 06 17 00 Shop-Fabricated Structural Wood
 06 17 33 Wood I-Joists

Page 2 of 2

Standard Grading rules for Canadian Lumber or graded by an inspection bureau or agency approved by the United States Department of Commerce Board of Review of the American Lumber Standards Committee with chord sizes of 3 x 2, 4 x 2, 5 x 2.

CERTIFIED MODELS: MiTek Posi-Strut Series: Includes PS-10, PS-10V2, PS-12, PS-12V2, PS-12i, PS-13, PS-14, PS-14V3, PS-16, PS-16V3 metal webs having a min. depth of 9-1/4 in. and spaced up to a max. of 24 in. oc for floor/ceiling systems.

MiTek Canada Inc. Posi-Strut metal web system with structural graded chords as per NLGA grading rules. All Posi-Struts are to be designed and sealed by a Professional Engineer.

4. FURRING CHANNELS (Optional)

5. BRIDGING/STRONGBACK: 2 x 6 SPF #2 to be attached to each bottom chord of the assembly with two 3 in. screws and to be spaced at 7 ft. oc.

6. GYPSUM BOARD: 5/8 in. Type X gypsum board to be screwed with 1-1/2 in. Type W screws and spaced 12 in. oc on intermediate joists and 6 in. oc on joist at butt joints. Max. width is 48 in. and all exposed joints are taped and finished with two additional coats of joint compound. Screw heads are covered with two coats of joint compound.

7. INSULATION (Optional): Where design requires insulation, it shall be 1-1/2 in. (38mm) thick mineral wool insulation batts.

Where insulation is optional, it may be 3-1/2 in. (89mm) thick fiberglass insulation batts with density 0.75 lb/cu.ft. All batts are to be placed between bottom joist flanges and supported by metal furring channels. All butt joints shall be over furring channels.

8. SUSPENDED CEILING SYSTEM (Optional, Not Shown): Any suspended ceiling system may be selected which satisfies the following criteria:

- A. It must be a fire rated system, and be installed within the terms of its listing.
- B. In lieu of a finish rating, any suspended ceiling design may be used that is part of a listed assembly, utilizing a wood deck and wood framing, that has a fire resistance rating equal to or greater than the rating assigned to the MiTek Canada, Inc. assembly.
- C. It must be suspended in accordance with the terms of its listing and a min. of 7-1/2 in. below the joist.
- D. Penetrations such as ducts, air diffusers, and fixtures must be protected in such a manner as to conform to the terms of the listing of the suspended ceiling system.

Date Revised: April 20, 2016
 Project No. 3115131



Valued Quality. Delivered.